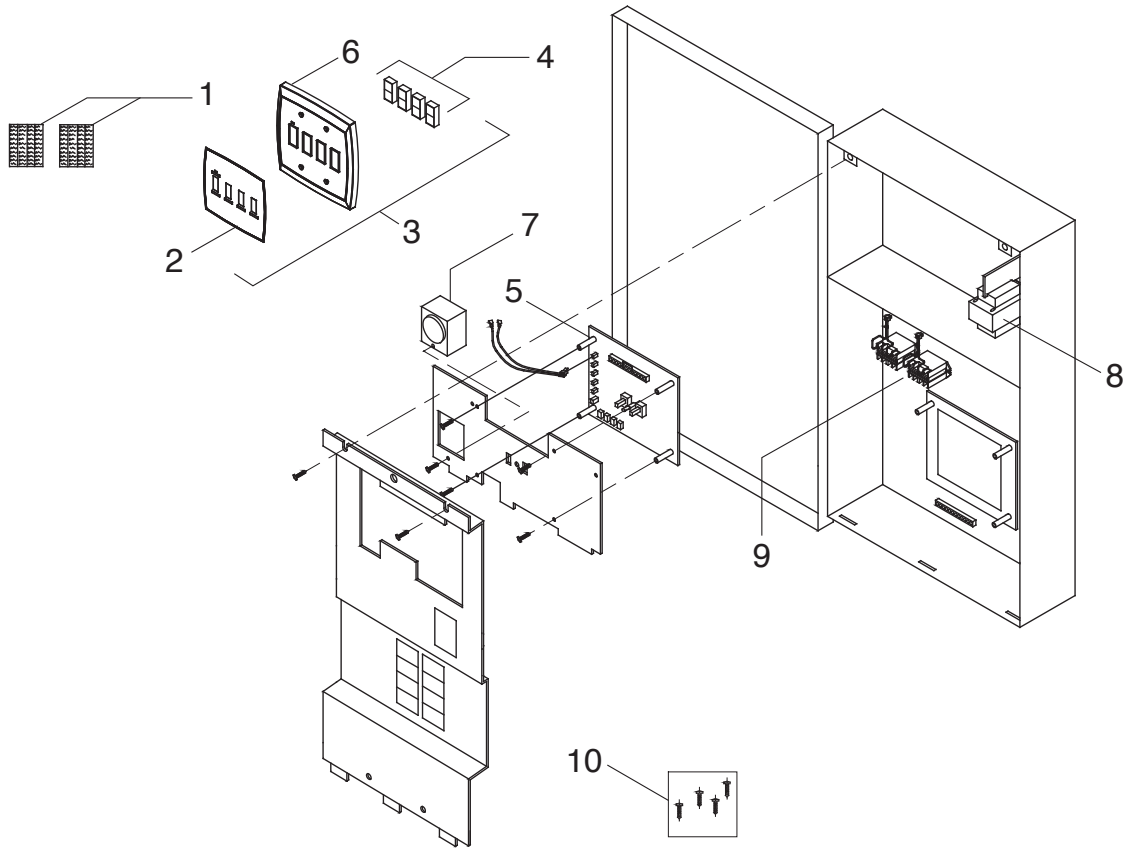


Pool Control – Sub-Panel Power Center with Breaker Mount Plate

Part No. 6614-LD



Key No.	Part No.	Description
1	6781+	Custom Decal Set (Includes Lights and General)
2	7501	Decal, Pool Control Faceplate
3	7502+	Controller, Complete Pool Control
4	7502+	Switch, SPST Rocker (4) [Double]* Use Part No. 7502+
5	7200	PCB, Pool Control Power Center
6	7294	Faceplate, Plastic Housing* Use Part No. 7502+
7	7152	24-Hour Timeclock Kit
8	RO466400	Transformer Kit, 120/24 VAC
9	RO658100	3 HP Relay w/ Harness
10	6918	Screw Kit
N/S	7343+	Cable, 4 pair, 22 gauge, per foot

*Not sold separately N/S-Not shown