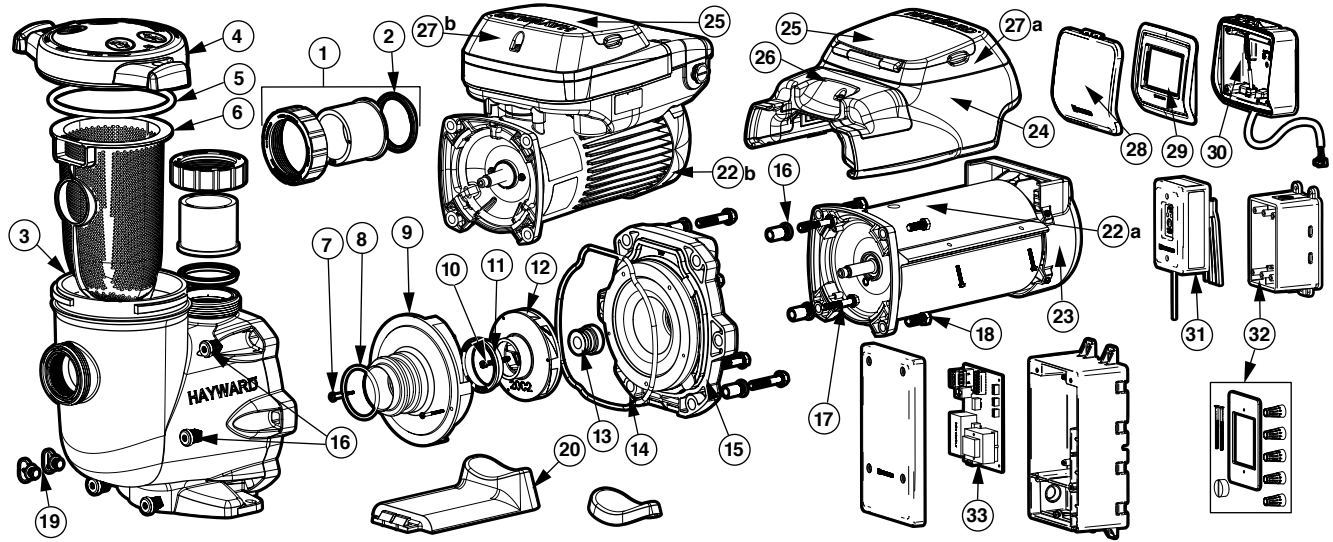


# Tristar® VS 950 Omni

## PUMP SERIES REPLACEMENT PARTS

### Parts for Pump Models: HL32950VSP



Ref. No.	Part No.	Description	Ctn.	Qty.
1	SPX3200UNKIT	Union Connector Kit (Includes Union Nut, Union Connector, Union Gasket – 2 ea.)	10	
2	SPX3200UG	Union Gasket		100
3	SPX3200A	Pump Strainer Housing, 2" x 2 1/2" with Drain Plugs, Threaded Style	1	
4	SPX3200DLS	Strainer Cover Kit (Includes Strainer Cover, Lock Ring, O-Ring)	10	
5	SPX3200S	Strainer Cover O-Ring	50	
6	SPX3200M	Strainer Basket	2	
7	SPX3200Z8	Diffuser Screw	50	
8	SPX4000Z1	Diffuser O-Ring	50	
9	SPX3200B3	Diffuser	5	
10	SPX3200Z1	Impeller Screw	50	
11	SPX3021R	Impeller Ring	50	
12	SPX3220C	Impeller with Impeller Screw	10	
13	SPX4000SAV	Viton® Shaft Seal Assembly	10	
14	SPX3200T	Housing O-Ring	50	
15	SPX3200E	Seal Plate	5	
16	SPX3200Z211	Housing Insert/Seal Plate Spacer Kit	50	
17	SPX3200Z3	Housing Bolt	50	
18	SPX3200Z5PAK4	Motor Bolt Kit	50	
19	SPX4000FG	Drain Plug with O-Ring	50	
20	SPX3200GA	Bracket, Motor Support	5	
21	SPX3200WF	Riser Base Aligns with Pentair® WhisperFlo® Ports	1	
21	SPX3200SR	Riser Base Aligns with Sta-Rite® Max-E-Pro™, Max-E-Glas®, Dura-Glas® and Dura-Glass II® Ports	1	
22a	SPX3400Z1ECM	Motor Assembly (before January 2019)	1	
22b	SPX3206Z1VSPE	Motor and Drive Assembly (after January 2019)	1	
23	SPX3400FAN	Motor Fan Shroud (before January 2019)	5	
24	SPX3400DR	Motor Drive (Includes Digital Control Interface, before January 2019)	1	
25	SPX3400DR4	Motor Drive Display Cover	5	
26	SPX3400DR2	Motor Drive Wiring Cover (before January 2019)	5	
27a	SPX3400LCD	Digital Control Interface Assembly (before January 2019)	1	
27b	SPX3200LCD	Digital Control Interface Assembly (after January 2019)	1	
28	HLXDCOVER	Sun Cover Replacement	5	
29	HLXDLCD	LCD Disp Replacement	5	
30	HLXDSPCASE	Case Replacement	1	
31	HLX485RELAY	Replacement RS485 Relay	1	
32	HLXJBOX	Replacement Jbox	1	
33	HLXHIOPCB	OmniHub PCB	1	
—	HLXHW5PK	OmniHub Hardware – Not Shown (5 pack)	10	
—	HLXWHIP6	Omni 6 ft. Whip – Not Shown	5	
—	SPX3400DRKIT	Wall Mount Kit for Digital Control Interface	5	
—	SPX3400DRCBL	Wall Mount Display Cable	5	
—	SPXHKIT100	H-KIT Quick Pump Repair (Includes items 5, 8, 13, 14 and Jack's Lube)	10	
—	GLX-ACT-CONN	Actuator Connector	100	
—	HLH485RELAY	Omni RS485 Smart Relay	1	
—	HLX485100	RS485 100 ft. Extension	15	
—	HLX485200	RS485 200 ft. Extension	5	
—	HLXRLYLABL	Replacement Relay Label	10	