

# PUMPS FILTRATION PUMP PARTS

## VS FloPro™ 0.85 and 1.65 HP Variable-Speed Pumps – 115V and 230V (Mfg. 2013–Present)

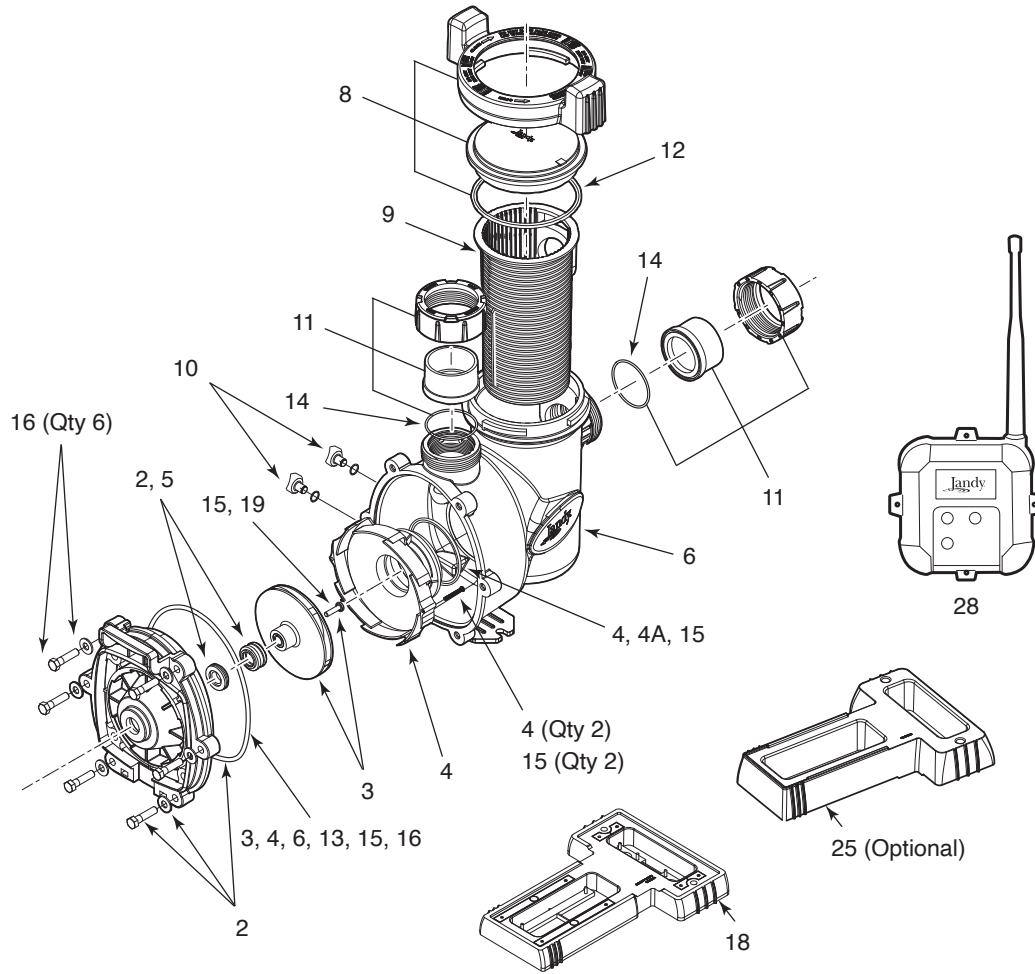
Part No. VSFHP085AUT, VSFHP085JEP, VS-FHP1.0, VSFHP165AUT, VSFHP165JEP

Key No.	Part No.	Description	Size	
			(THP)	Qty
1	R0856100	Motor and Drive, VSFHP085JEP	0.85	1
	R0856000	Motor and Drive, VSFHP085AUT	0.85	1
	R0571000	Motor and Drive, VSFHP165JEP	1.65	1
	R0670400	Motor and Drive, VSFHP165AUT	1.65	1
2	R0479500	Backplate, Bolts (6), Washers (6), Backplate O-Ring, Mechanical Seal (Carbon and Ceramic)		1
3	R0479602	Impeller, Mounting Screw, Backplate O-Ring (VSFHP085JEP / VSFHP085AUT)	0.85	1
	R0479603	Impeller, Mounting Screw, Backplate O-Ring (VSFHP165JEP / VSFHP165AUT)	1.65	1
4	R0479702	Diffuser, O-Ring, Mounting Screws (2), Backplate O-Ring (VSFHP085JEP / VSFHP085AUT)	0.85	1
	R0479701	Diffuser, O-Ring, Mounting Screws (2), Backplate O-Ring (VSFHP165JEP / VSFHP165AUT)	1.65	1
4A	R0622000	Diffuser O-Ring		1
5	R0479400	Mechanical Seal, Carbon and Ceramic (1 Set)		1
6	R0479800	Pump Body, Backplate O-Ring		1
7	R0479902	Motor Mounting Foot		1
8	R0480000	Lid, Locking Ring, O-Ring		1
9	R0480100	Pump Filter Basket		1
10	R0446000	Drain Plug w/ O-Ring (Set of 2)		2
11	R0327301	Union Nut (2), Tailpiece (2), O-Ring (2)		2
12	R0480200	Lid O-Ring		1
13	R0480300	Backplate O-Ring		1
14	R0337600	Tailpiece O-Ring (Set of 2)		2
15	R0480400	Diffuser/Impeller Hardware w/ Backplate O-Ring (Diffuser O-Ring, Diffuser Mounting Screws, Impeller Mounting Screw, Backplate O-Ring)		1
16	R0480500	Backplate Bolts (6), Backplate Washers (6), Backplate O-Ring		1
17	R0446700	Motor Mounting Bolts (4), Washers (4)		4
18	R0486700	Small Adjustable Base with Spacers, FloPro Pumps		1
19	R0515400	Impeller Mounting Screw w/ O-Ring		1
20	R0587600	Wiring Access Cover Mounting Screw		1
21	R0571600	JEP-R Controller Mounting Screws		6
22	R0571400	Wiring Access Cover w/ Gaskets		1
23	R0571300	Fan Cover w/ Mounting Screws (4)		4
24	R0571500	Cover for on-board JEP-R Controller		1
25	R0546400	Large Base (Optional), FloPro Pumps		1
26	R0501101	Conduit Fitting, 1/2 NPT		1
<b>VS PUMP CONTROLLERS</b>				
27	JEP-R	Variable-Speed Pump Controller		1
28	iQPUMP01	iAquaLink® App Controllable Variable-Speed Pump Controller (Not Included)		1

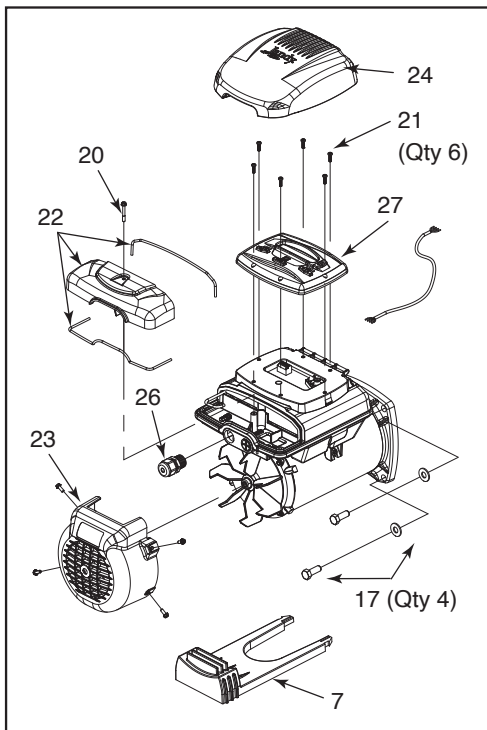
N/S-Not shown

**VS FloPro™ 0.85 and 1.65 HP Variable-Speed Pumps – 115V and 230V (Mfg. 2013–Present)**

Part No. VSFHP085AUT, VSFHP085JEP, VS-FHP1.0, VSFHP165AUT, VSFHP165JEP



1 - VSFHP085JEP & VSFHP165JEP Motor/Drive



1 - VSFHP085AUT & VSFHP165AUT Motor/Drive

