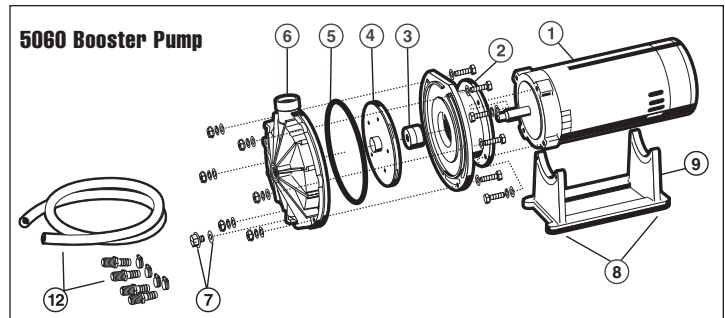
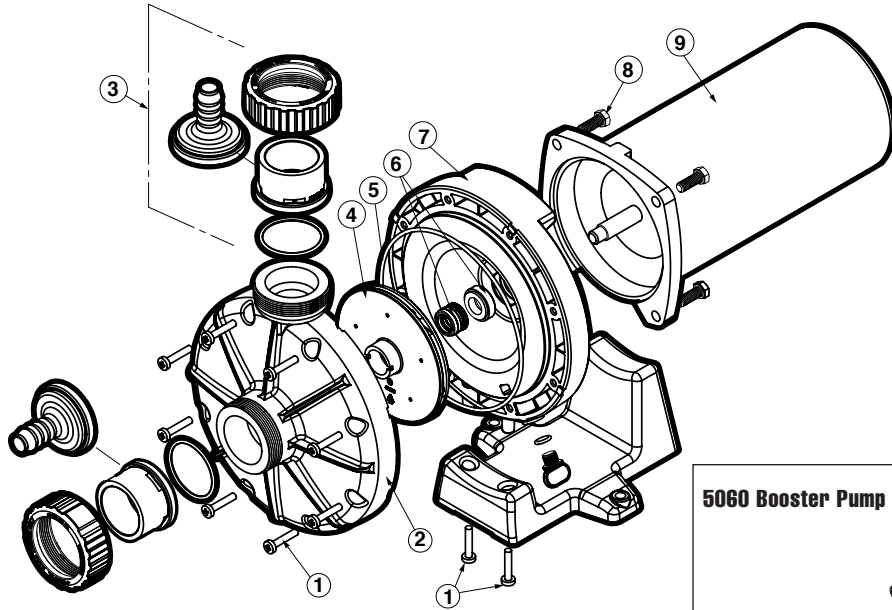


Booster Pump

HSP30060, (W3)6060, 5060 BOOSTER PUMP REPLACEMENT PARTS

Pumps

Parts for Booster Pump Models: HSP30060, (W3)6060, 5060



Ref. No.	Part No.	Description	Ctn. Qty.
(W3)6060 Booster Pump Parts			
1	AX6060Z1	Screws	10
2	AX6060A	Volute	1
3	AX6060UNPAK	Union Fittings Kit (2 Unions with O-Rings)	5
—	SPX1495Z1	Union O-Ring	50
4	AX6060C	Impeller Assembly	5
5	AX6060S	O-Ring	50
6	SPX2700SA	Seal Assembly	10
7	AX6060E	Seal Plate Assembly (Seal Plate with Drain Plug and O-Ring)	1
8	SPX4000FG	Drain Plug with O-Ring	50
9	AX6060G	Motor Support	1
10	SPX3200Z5	Motor Bolts	50
11a	SPX2707Z1BT	HSP30060 Motor (3/4 H.P., 60 Cycles)	1
11b	SPX2707Z1B	6060 Motor (3/4 H.P., 60 Cycles)	1
—	6060HKIT	Booster Pump Hose Kit, HSP30060 and 6060	1

5060 Booster Pump Parts

1	AX5060M	Motor (3/4 H.P. 60 Cycles)	1
2	AX5060B2	Seal Plate (2004 and beyond)	10
3	SPX1250XZ2C	Spring Seal with Seat	10
4	AX5060C	Impeller Assembly	10
5	AX5060J	Ribbon Gasket (2004 and beyond)	50
6	AX5060A	Volute 3/4 NPT-F	10
7	SPX1700FG	Pipe Plug with Gasket	50
8	AX5060P	Stem Bumper	10
9	AX5060D	Base	1
10	AX5060HKIT	5060 Booster Pump Hose Kit	10